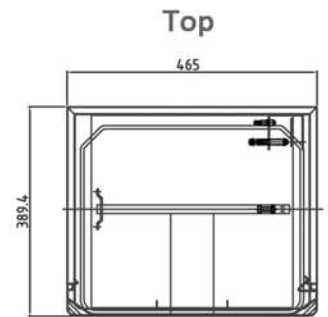
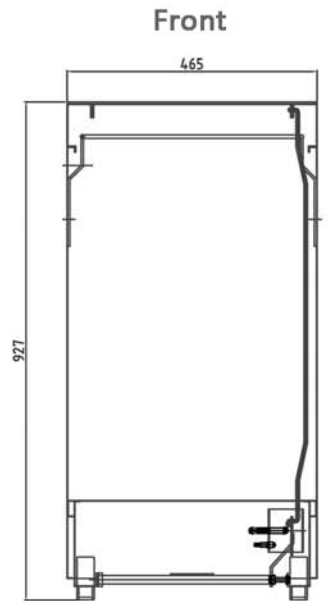


# SMART BIN 120 L



Desc.	: SMART BIN 120 L ( Hi-Clean 120 L)
Model	: SB120
Material	: SUS 304
Capacity	: 120 L
Dimension	: 465 x 390 x 927 (mm)
Packing method	: Carton box and Styrofoam
Packing dimension	: 520 x 480 x 980 (mm)
Gross weight	: 24 Kgs

### Features:

1. Sturdy and durable polished Stainless Steel 304 material
2. Automatic soft close lid, Hydraulic damp
3. With front door for easy maintenance
4. Heavy-duty foot pedal for hands free operation
5. Heavy-duty casters wheel for easy to remove
6. Heavy-duty and easy to grip design

